

Important:

Before first use, preheat the injector for 15-20 minutes, with the controller set to 8 to burn off any machining residue.

The conical glass joints and the o-rings (viton) are precisely adjusted, to separate the parts, pull and twist gently.

When in use, the Titanium diffuser and some of the glass parts will become very hot, handle them with care.

It is advisable to handle the different glass parts carefully and to find a safe place for your Herborizer, avoid placing the power cord in a passageway.

Mounting:

Connect:

- The power cord to the power supply (AC adapter 110V / 220V)
- The adapter to the temperature controller (graduated from 1 to 10)
- The temperature controller to the Ti resistor (handle)

It is not recommended to connect the injector directly to the power supply, the temperature of the injector would be too high and would burn the plant.

The Ti injector operates at low voltage (12VDC), has a low power consumption (36W controller on 10), and can be powered by the power supply (included), a cigarette lighter adapter or a battery.

Dry herbs / Flower

Diagram 1 - Insert the titanium diffuser of the Ti heater in the glass part of the injector using a gentle twisting motion, and without forcing.
If needed, a small «Allen» wrench is provided with the heater to allow you to check and tighten the locking screws.

Diagram 2 - The titanium diffuser should protrude approximately 5/6mm from the glass part, so that the injector produces a vortex of hot air inside the bowl during inhalation. It is adjusted and checked during assembly.

Diagram 3 - Switch on the controller by turning the knob clockwise, the red LED will light up, indicating that the resistor is switched on.
Adjust the controller between 4 and 6 (160 °c and 220 °c) which corresponds to the vaporising temperatures of dry resinous plants.
Preheat 5/10 minutes.

Diagram 4 - Fill the bowl with a small amount of previously ground dry herb, spreading it evenly over the entire surface of the screen.
Place the injector on the bowl, making sure the diffuser doesn't come into contact with the herbs.
For maximum efficiency wait 1 to 2 minutes before the first inhalation, and inhale slowly and deeply.
Between each inhalation, you can lift the injector and stir the herbs with the titanium tool for a complete extraction.
Do not leave the injector on a full bowl without inhaling for a prolonged length of time, the heat released by the injector could degrade the herbs.
Empty the bowl after each use, it will be easier to clean when it is still hot. If needed. The titanium tool can be used to remove the screen from the bowl.

Temperature chart for dry herb use:

T ° of air (convection)

- 1 - 90°C / 194° f
- 2 - 100°C / 212° f
- 3 - 130°C / 266° f
- 4 - 160°C / 320° f
- 5 - 190°C / 374° f
- 6 - 220°C / 428° f
- 7 - 250°C / 482° f
- 8 - 280°C / 536° f
- 9 - 290°C / 554° f
- 10 - 300°C / 572° f

Concentrates / E-nail

Diagram 1 - insert the titanium diffuser of the Ti resistor into the e-nail glass part using a gentle twisting motion, and without forcing.
The handle can be positioned vertically or horizontally.

Diagram 2 - The titanium diffuser must never make contact with the rounded bottom of the glass part as the thermal-dilation of the titanium could damage the glass.

Diagram 3 - Switch on the controller by turning the knob clockwise, The red LED will light up, indicating that the resistor is switched on.
Adjust the controller between 3 and 5 (250°C and 330°C), which corresponds to the vaporising temperature of concentrates.
Preheat 5/10 minutes.

Diagram 4 - Take a small amount of concentrate with the titanium tool tip, place the concentrate in the groove of the titanium diffuser, inhaling at the same time.
Concentrate instantly vaporizes.

Temperature chart for concentrate use:

T ° of titanium (conduction)

- 1 - 170°C / 338°f
- 2 - 190°C / 374°f
- 3 - 250°C / 482°f
- 4 - 300°C / 572°f
- 5 - 330°C / 626°f
- 6 - 380°C / 716°f
- 7 - 410°C / 770°f
- 8 - 440°C / 824°f
- 9 - 470°C / 878°f
- 10 - 500°C / 932°f

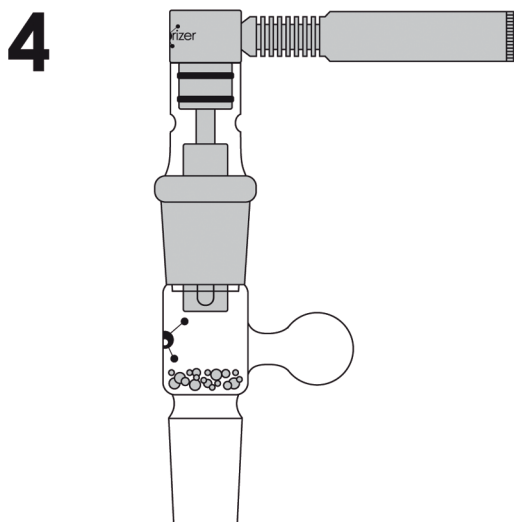
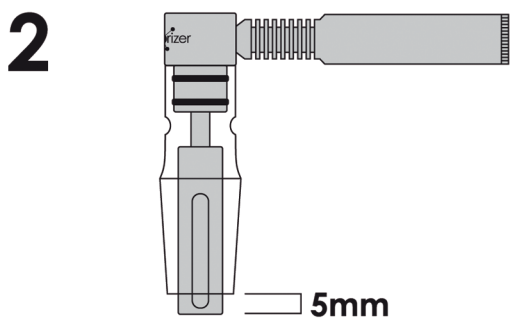
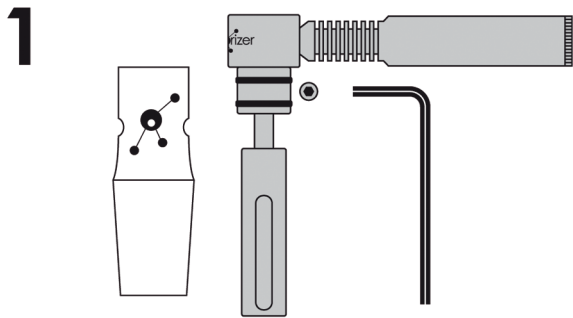
Maintenance :

For your Herborizer Ti to work under optimal conditions, it is advisable to regularly clean the glass parts.
We recommend using Limpuro organic cleaner or a solvent such as alcohol.

Warranty:

All our products are guaranteed 2 years (except glass parts, o-rings and screens).
Beyond this period, we provide after sales service for repairs, spare parts, maintenance and cleaning.

Dry herbs / Flower



Concentrates / E-nail

